



Ing. Zdeněk Štuksa

konstrukce a výroba jednorúčelových strojů
a automatizační techniky

Fully automated water graphics system

Allows precision control of water drops in order to produce crisp images within a wall of cascading water

Can display any graphic, logo or words in any language or choose from our library

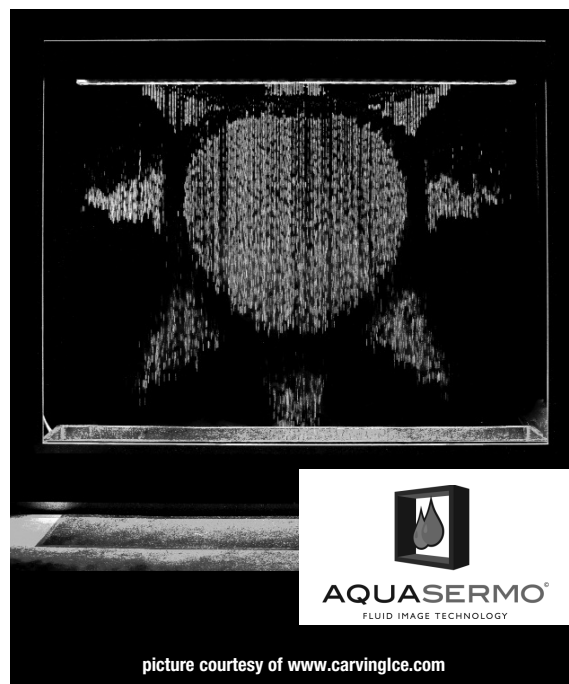
Special effects can be created using combinations of lighting and water dyes

Can create custom programs to suit your audience

Stand-alone, self-contained unit, which can be incorporated into various applications

System using low power electronics and fresh water, resulting in safe human interface

Optimal viewing distances of 2 to over 150 meters



Technical data

Medium:

General tap water (re-circulated)

Note: deionised water should not be used

Dyes can be added to the water, but please consult with technical for compatibility with other fluids.

Length:

2,4 meters

Height:

Recommended minimum manifold working height of 2 meters or above

Weight of 2,4 m manifold:

Approximately 20 kg

Weight of full 2,4 m system:

Approximately 50 kg

Number of valves:

288 valves in full 2,4 m length

Material

Manifold: anodised aluminium

Goal post: aluminium

Booth: aluminium

Valves board: stainless steel & polymer

Ordering information

To order please quote model number from the table overleaf.

Options

Please issue request to Technical Team, Norgren UK

Please refer to user manual for detailed data

AquaSermo »Talking water«

Electrical specification

Power source:

240 or 110 V a.c. options

Power supply to PCB's and valves:

24 V a.c. (2 earth-leaking detectors (RCD) will be supplied)

Power supply to pump:

240 V a.c. or 110 V a.c. (supplied with unit)

Electrical consumption:

Approximately 2000 W

Electrical connection:

Standard mains plug

Laptop cable connection:

Standard serial cable and USB converter (supplied)

Other

Ambient/water temperature:

5°C to 25°C

Life expectancy:

Valves 20 million cycles

Installation time:

Typically 2 hours with 2 people

Water supply:

Access to water is required so that trough may be filled up with water.(if a permanent location, a close water source is recommended for re-filling of the trough as needed)

General Information

Standard booth dimensions:

3140 mm (wide) x 700 mm (deep) x 2600 mm (tall)

CAD drawings of booth available upon request

Other sizes are available upon request and discussion.

Additional options (available upon request at time of order)

Support and training available upon request at additional cost, based upon requirements.

Water dyes

Optional LED's.

Along with the shipment of AquaSermo, you will also receive water additives that, if used in accordance with the instructions provided will remove the risk from water based bacteria and biofilm.

Scale build up:

In order to prevent any build-up that may occur from the water supply, it is recommended that a carbon filter be used with the water pump. (For advice or recommendation regarding filter, please contact Norgren or your distributor.)

Control:

A laptop/PC will be required to drive the system (not supplied)

Mounting position:

Protect from rain and strong winds

Footprint:

Working width plus 1 meter

Lighting:

Standard lighting options available

Valve type:

Norgren 15 mm valves

Filter type:

Optional replacement filters available

Filters are cleanable and reusable

Spares kits available

Part	Part number
Valves (set of 5)	VA60001
Water pump 240 V a.c.	PU60000
Water pump 110 V a.c.	PU60001
Water pump filter	FL60000
Elate H6 biocide solution	TO60000
Elate H6 chemical testing strips	TO60001

Option Selector

AQ-03XXX0

Cladding	Substitute
Yes	1
No	0

Lighting	Substitute
None	0
LED	1

Power Rating	Substitute
240 V a.c.	0
110 V a.c.	1

Ordering examples:

2,4 m manifold on a frame, with booth, full LEDs on top and bottom, shipped in reusable crates. 110 V a.c.

quote: AQ-031110

2,4 m manifold on a frame, with full LEDs on top and bottom, shipped in reusable crates. Does NOT include Booth. 110 V a.c.

quote: AQ-030110

2,4 m manifold on a frame shipped in reusable crates. Does NOT include booth or LEDs. 110 V a.c.

quote: AQ-030010

Installation and commissioning

Norgren will provide installation and training services upon request.

Disposal/Recycling of components

In order to comply with the WEEE directives, please ensure disposed of metals and plastics are as per normal recycling procedures and the pcb's and other electrical items are disposed of as per the WEEE directive. Alternatively the pcb's can be returned to Norgren for disposal.

Please contact Norgren or your authorized distributor in order to obtain the most up to date return address and instructions on how to return.

Servicing and repairs

A one-year warranty applies to all Norgren products. For terms and conditions please ask for a copy of our 'General Conditions of Sale'.

You should by no means attempt to repair the product by yourself, apart from in accordance with the spares kits and manuals recommended maintenance guidelines.

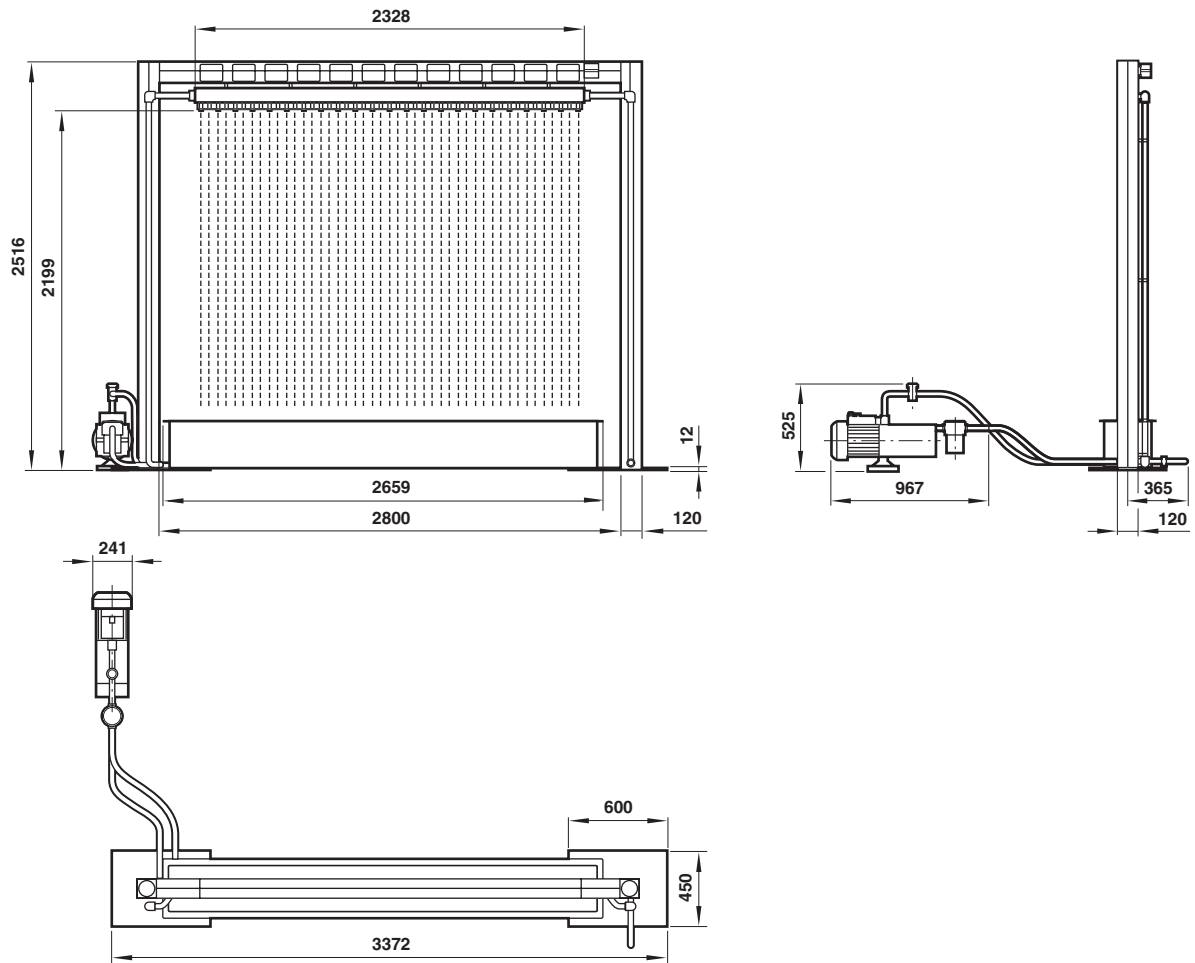
For repair please have ready a description of the error, malfunction or failure and contact your local representative dealer or agent.

Transport and storage

This product can only be transported and stored in the original Norgren or Norgren Distributor packaging, which ensures suitable protection against mechanical damage.

AquaSermo »Talking water«

Dimensions



Optional Booth

